

SEVCON®

Partner with Performance



DC/DC

DC/DC CONVERTERS

The Sevcon DC/DC Converters are suitable for all electric powered vehicles and are designed to be fitted on-board the vehicle and connected permanently to the battery. These fully encapsulated converters deliver a stable isolated high power, low voltage DC supply for accessories such as lights, horns, and wipers. This eliminated inefficient battery taps and fragile, expensive high voltage accessories.

FEATURES

- High Frequency: silent operation
- Output power: 200W or 300W
- Protection from short circuit, overload and reverse polarity
- Fully isolated
- IP67 protection
- Parallel connection of multiple units
- Integrated fuse holder

DC/DC

KEY PARAMETERS

Input voltage (V)	Output voltage (V)	Output Power (W)
24/36	12/24	200
36/48	12/24	300
72/80	12/24/48	300
96	12/24	300
128	12/24	300
160	12	300

Weight: 0.9kg

CUSTOM, COMPACT DESIGN

Custom designed for use with motor controllers, this compact, yet powerful converter can be connected in parallel for higher power requirements to perform reliably in industrial and commercial environments.

ISOLATED OUTPUT

Safer than direct battery connection, this converter provides an electrically isolated output for ancillary equipment.

OUTPUT ENABLER*

The output enabler allows users to turn on/off the output voltage by means of a high/low input signal.

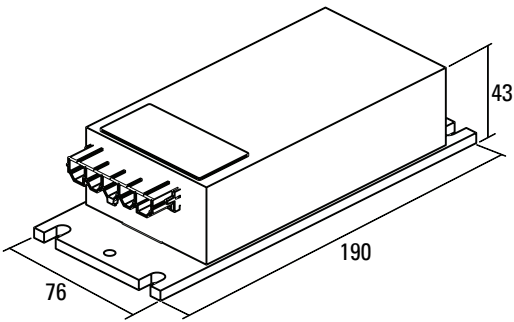
STABLE VOLTAGE

Output is regulated to either 12, 13.5, 24 or 27, depending on the model, and is maintained regardless of input voltage variations throughout the operating voltage range.

DURABLE RELIABILITY

Encapsulated to achieve a protection rating to IP67, this converter can be used with complete confidence in punishing environments.

*Only available on selected models



SEVCON[®]

Partner with Performance

Sevcon Ltd Kingsway South
Gateshead NE11 0QA England
T +44 (0)191 497 9000
F +44 (0)191 482 4223
sales.uk@sevcon.com

Sevcon Inc 155 Northboro Road
Southborough MA01772 USA
T +1 (508) 281 5500
F +1 (508) 281 5341
sales.us@sevcon.com

Sevcon SAS Parc d'Activité
du Vert Galant Rue Saint Simon
St Ouen l'Aumône
95041 Cergy Pontoise Cedex France
T +33 (0)1 34 30 35 00
F +33 (0)1 34 21 77 02
sales.fr@sevcon.com

Sevcon Japan K.K.
Kansai Office 51-26 Ohyabu Hikone
Shiga Japan 522-0053
T +81 (0) 7 49465766
jp.info@sevcon.com

Sevcon Asia Ltd
Room No.202 Dong-Ah Heights Bldg
449-1 Sang-Dong Wonmi-Gu
Bucheon City Gyeonggi-Do
420-816 Korea
T +82 32 215 5070
F +82 32 215 8027
sales.kr@sevcon.com

follow @Sevcon